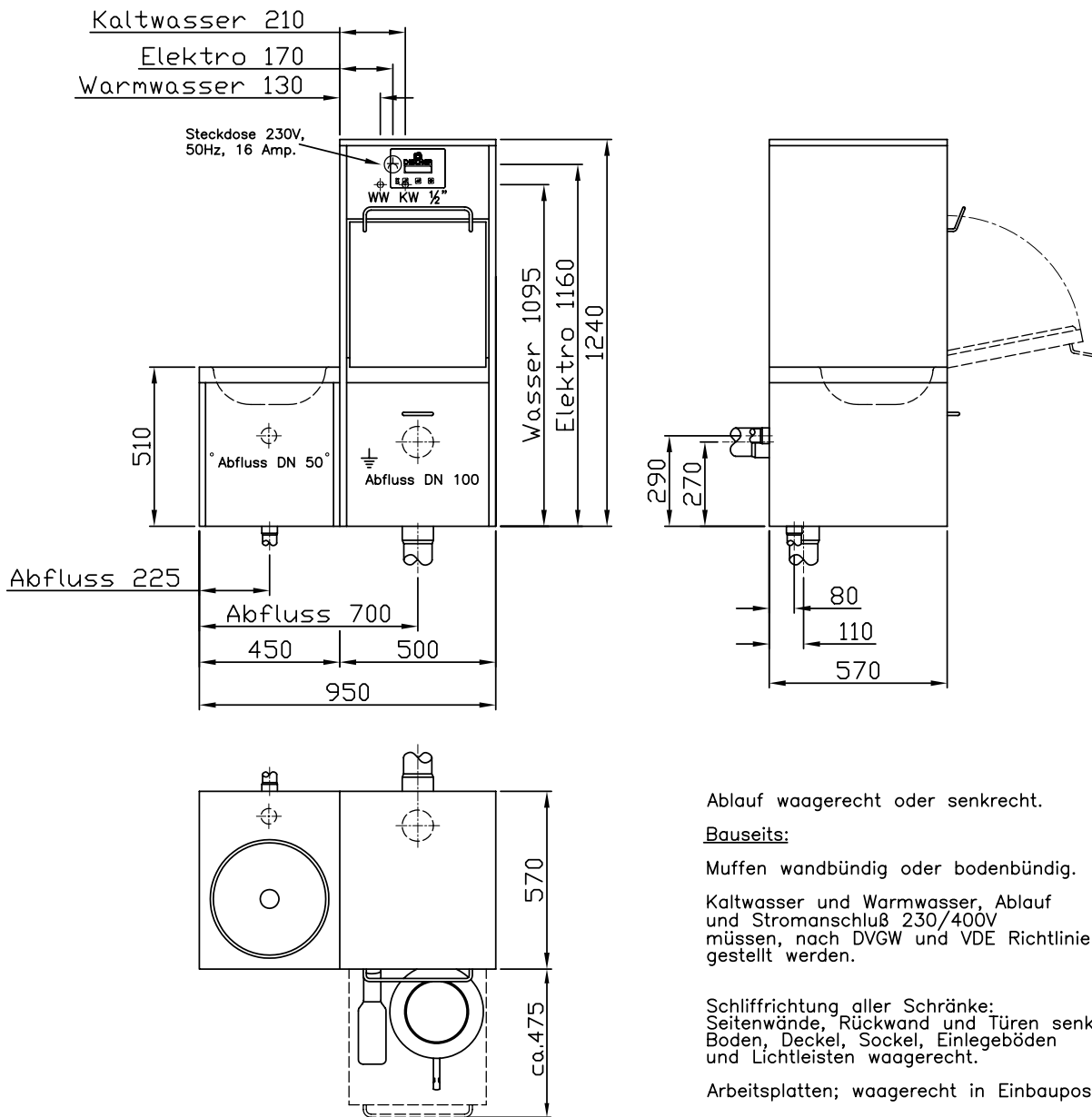


Thermal disinfection
Stand-alone / wall-mounted





Ablauf waagrecht oder senkrecht.

Bauseits:

Muffen wandbündig oder bodenbündig.

Kaltwasser und Warmwasser, Ablauf und Stromanschluß 230/400V müssen, nach DVGW und VDE Richtlinien gestellt werden.

Schliffrichtung aller Schränke:
Seitenwände, Rückwand und Türen senkrecht.
Boden, Deckel, Sockel, Einlegeböden und Lichteisten waagrecht.

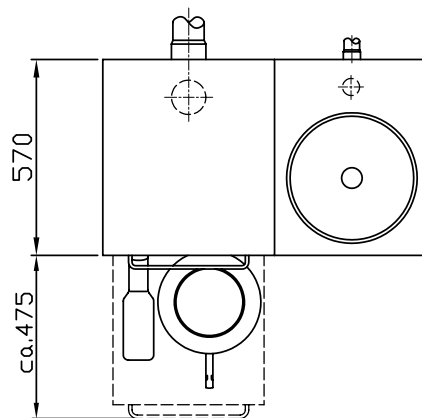
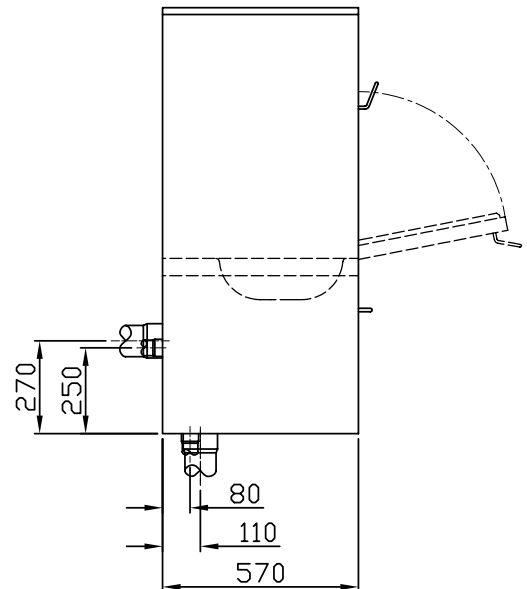
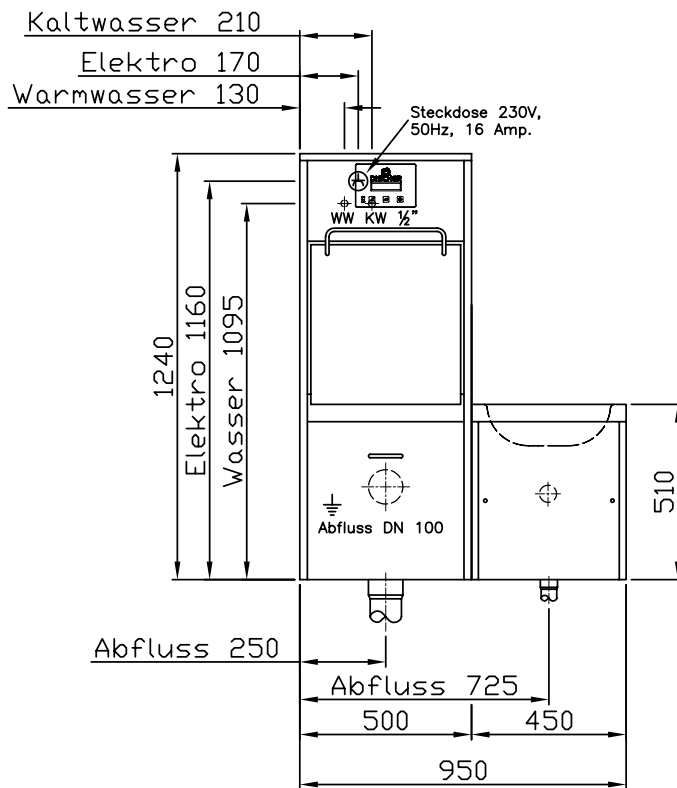
Arbeitsplatten; waagrecht in Einbauposition.

NAB: Front senkrecht. Sockel waagrecht.

Passblenden: senkrecht.

Achtung:

Rauchmelder beachten!



Ablauf waagrecht oder senkrecht.

Bauseits:

Muffen wandbündig oder bodenbündig.

Kaltwasser und Warmwasser, Ablauf und Stromanschluß 230/400V müssen, nach DVGW und VDE Richtlinien gestellt werden.

Schliffrichtung aller Schränke: Seitenwände, Rückwand und Türen senkrecht. Boden, Deckel, Sockel, Einlegeböden und Lichtleisten waagrecht.

Arbeitsplatten: waagrecht in Einbauposition.

NAB: Front senkrecht; Sockel waagrecht.

Passblenden: senkrecht.

Achtung:

Rauchmelder beachten!

Cleaning and disinfection machine

To empty, clean and disinfect bedpans, urine bottles, stool buckets and kidney dishes Medical Devices Directive 93/42/EWG Appendix II
DIN EN ISO 15883 Part 1 and 3.

Type: **DISCHER Piccolo 950 D3P**
Thermal disinfection

Total dimensions:

Width	950 mm
Depth	570 mm
Height	1.240 mm



Machine description:

Optimum cleaning results

Maximum water and energy savings are achieved by rinsing the individual patient care utensils via a high-pressure cleaning pump.

Disinfection

A0 values or alternatively temperature-time relations are used to control disinfection. The standard programmes are assigned both the A0 value = 60 (minimum requirement standard) as well as the A0 value = 600 and A0 value = 3,000 (RKI recommendations). Any A0 values can alternatively be set by the in-house technician or hygiene officer. Temperature range of disinfection 65 – 95 °C. A0 range 60 – 3000 and beyond. Temperature measurement system with 2 sensors Accuracy < = 1%.

System disinfection

All the important components such as water supply tank, nozzles, pump and lines are automatically disinfected every 24 hours in regular operation using the steam generator integrated in the water supply tank. This measure reliably prevents the risk of recontamination.

Washing chamber

Edged washing chamber with large radii and slanting ceiling are pre-requisites for optimum hygiene. No dirt deposits in corners. Uniform material thickness in washing chamber of 1.2 mm.

Washing chamber door

A 20 mm stainless steel square tube frame integrated in the washing chamber door withstands loads of up to 50 kg. The washing chamber door is operated via a hygienic bar handle. The door also remains closed when currentless if the programme is interrupted. Automatic restart of programme after power failure.

Electric door opening (optional)

With foot switch. The washing chamber door can still be operated manually.

Seal

Wear-free, hygienic border to the washing chamber door with a self-cleaning stainless steel labyrinth seal.

Universal holder

For bedpans, 3 urine bottles, stool bucket and kidney dishes. Holder does not have to be changed.

Nozzles

Optimum cleaning results are achieved with the proven planetary spray arm, three urine bottle nozzles as well as three rotation nozzles which powerfully clean all the utensils. All the nozzles are made of stainless steel. The planetary spray arm is also mounted in stainless steel bushings.

The asymmetrical rotation and vertical positioning of the planetary spray arm mean that a greater cleaning area is covered preventing the adhesion of dirt and cellulose.

Housing

Made of stainless steel. Surfaces in material 1.4301 with microfine finish and sound-absorbing. No non-ferrous or fire-hazardous materials are used.

Technology section

Generously dimensioned, orderly and closed technology section allowing front, service-friendly access to all components without problem.

Unrestricted water supply DISCHER OPTIFILL

The worldwide best drinking water safety concept is the absolutely unrestricted water supply at the tank according to the highest safety level AA of standards DIN 1988 and DIN EN 1717.

Stainless steel tank with inspection opening

With integrated stainless steel steam generator and service-friendly, exchangeable stainless steel heating element.

Booster pump

Multi-stage pump with stainless steel pump head to clean the washing chamber and utensils.

Control

Advanced technology with multi-processor control. All-pole main switch RoHS-compliant construction, board material according to Isola FR4

Easy programme selection

Cleaning programmes each with 3 programme intensities for 3 urine bottles and bedpans can be selected at the keypad. The user thus has a total of 6 programmes to choose from.

Stand-by switching

When not in use, the machine goes to stand-by, switches all active components off and back on again as soon as the machine is operated.

Interfaces

- Floating output
- USB interface
- RS232 interface

Plain text display

To show machine status and disinfection temperature. Backlit 2 x 20 characters with a character height of 5.6 mm, wide viewing

angle for optimum, widely legible display.

This display switches to sleep mode after an adjustable time of non-use and back on again as soon as the machine is operated.

The temperature and A0 value (TARGET and ACTUAL value) are displayed at the same time during the programme run.

The remaining programme run time is shown as a bar. The main operating statuses such as operation, malfunction and drying are shown via LED. Country-specific texts can be shown in the plain text display.

Four-level safety system

In addition to various programme counters, relevant parameters can be displayed and adapted individually by the in-house technician or hygiene officer via a four-level safety system.

Data logger (optional)

The operating parameter sets of the last 100 cycles are saved in a 2 MB ring memory. These operating parameters such as date, time, temperature, A0 value and programme document the results of disinfection. They can be read easily with a computer; there is a USB interface for this purpose.

Connectable activation protection

Access to machine and programme via key pad combination is possible. Washing chamber remains locked in neutral and protected against unauthorised access.

Recooling DISCHER OPTIDES

The patient care utensils are cooled by the self-disinfecting flushing system. Setting up and adjustment can be performed by the operator.

Overflow sensor

Any overflow of the washing chamber due to a blocked drain is prevented by an overflow sensor.

Leak sensor (optional)

In the event of a leak the flow sensor warns with an acoustic signal and causes a programme interruption. If a leak occurs, the optional floor sensor protects the building from damage due to leaking water.

Dosing the agents

Optimum dosing of the lime binder is monitored by a flowmeter with an accuracy of $\leq 1\text{mL}$. Two additional dosing pumps can be added for example for cleaning agent and rinse aid.

Waste water drain

Waste water drain without rim flushing. Rim flushing is available optionally. Controlled via tank and pump system of washing machine with two cleaning levels. Round funnel sink.

Equipped with a removable bucket rest which can be cleaned and disinfected in the machine. Mesh in the funnel and trap DN 70 in scope of supply.

Working height 510 mm

Width 450 mm

Adjustable feet

For optimum levelling of the machine in situ, as standard.

Support and training

Phone service support and training for technicians are offered.

Supplied ready for connection

Immediately ready for operation. Ball valves, armoured hoses, strainers and 5 litre lime binder CALLIGATOR[®] are included in the scope of supply and the internal inlet and outlet piping is run to a central point.

Certificates

DIN EN ISO 15883:2006, Medical Devices Directive 93/42/EWG Appendix II, DIN EN ISO 13485:2003

Warranty

2 year warranty on all electrical and mechanical parts; wearing parts excepted.

Technische Daten:

- Mains voltage 230 V, 3 KW, 16 A optional 3~400V, 3.6 kW, 3x16 A
- Energy consumption: operating readiness approx.: 0.012 kWh
 - Programme badpans (A0=60) approx.: 0.210 kWh
 - Programme badpans (A0=600) approx.: 0.250 kWh
- Warm and cold water ½" (DN 15) water pressure 50 – 800 kPa, temperature 0 – 60°C
- Washing chamber drain DN 90, drain at wall DN 100
- Operating cycle time: urine bottles 4.5 – 7.5 min, badpans 5 – 10 min,
Bedpans and urine bottle 6 – 11 min depending on intensity
- Water consumption depending on intensity:
 - Urine bottles CW 4 – 8 L and WW 4 L.
 - Bedpans CW 8 – 28 L and WW 8 – 12 L
 - Bedpans and urine bottle CW 12 – 36 L and WW 8 – 12 L
- Noise emission < 60dB (A)

Proof of delivery:

DISCHER Technik GmbH

Fuhr 6, D-42781 Haan

Tel.: +49 (0)2104 / 23 36-0

Fax: +49 (0)2104 / 23 36-99

info@discher.de